

# IES615-2F-2D(RS-485)

5 port Industrial managed Ethernet switch with 2 ports RS485/422

## Features

- 1.Support 3 ports 10/100Mbps Ethernet and 2 port 100M fiber port and 2 ports RS485/422
- 2.SW-Ring (recovery time < 20 ms at full load)
- 3.Support 2 port RS485/422 to Ethernet
- 4.Port-based VLAN, IEEE 802.1Q VLAN to ease network planning
- 5.Support IEEE802.1p\_QOS
- 6.Support IGMP, Port Trunking and Port mirroring function
- 7.Support alarm output
- 8.Support WEB setting, east to management
- 9.Accord to Industrial 4 grades.
- 10.IP30 protect grade, high strength iron shell, DIN Rail installation.



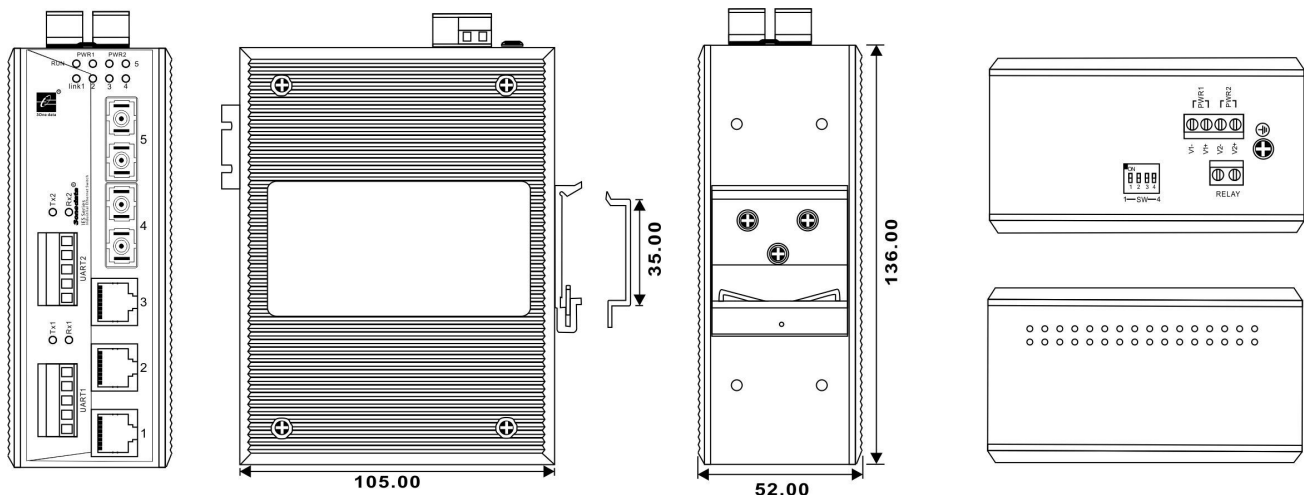
## Introduction

IES615-2F-2D(RS-485) industrial Ethernet switches integrated serial device server function, it adopt SW-Ring redundant technology (Recovery time<20ms), users can set the redundant easily to increase network reliability, furthermore, IES615-2F-2D(RS-485) can support 2 ports RS485/422, AT command and alarm output, It adopted no fan,

low power consumption design, IP30, corrugate high strength iron shell, the performance is more steadily. It accorded with CE, FCC standard and Industrial 4 grades, DIN rail installation and wide operating temperature (-40~75C), it can satisfied some kinds of industrial environment, it can provide reliable and quickly solution for your Ethernet device.

## Dimension and appearance

Unit (mm)



## Specification

Technology:

Standard:

IEEE802.3, IEEE802.3u, IEEE802.3x

Flow control:

IEEE802.3x, back pressure control



**Interface:**

Fiber port: 100Base-FX, SC/ST optional  
 Single-mode: 20, 40, 60, 80, 120Km  
 Multi-mode: 2Km  
 Wavelength: 1310nm, 1550nm  
 Ethernet port: 10/100Base-TX, RJ45, full/half duplex and  
 MDI/MDI-X self-adaption  
 Alarm terminal block:  
 2 bits 7.62mm terminal block,  
 1 relay alarm output,  
 Electric load capacity:1A@30VDC  
 RS485/422: 5 bits terminal block

**Exchange of attribute:**

Transmission: store and forward  
 Bandwidth: 12G  
 Memory: 1Mbits  
 MAC address: 2K

**Indicator:**

Working: Run  
 Interface: Link1~5  
 Power supply: PWR1, PWR2  
 RS485/422 data: TX, RX

**Power supply:**

Power input: 24VDC (12~48VDC)  
 Terminal block: 3 bits 7.62mm terminal block  
 No-load power consumption: 2.4W@24VDC  
 Full-load power consumption: 2.7W@24VDC  
 Support redundant protection

Support over-current protection  
 Support reverse connection protection

**Environmental**

Operating Temperature: -40 to 75°C  
 Storage Temperature: -45°C to 85°C  
 Ambient Relative Humidity:  
 10 to 95% (non-condensing)

**Mechanical:**

Shell: IP30, high strength iron shell.  
 Installation: DIN Rail  
 Weight: 900g  
 Dimension(W×H×D): 136 mm×52mm×105mm

**Standard:**

EMI: FCC Part 15, CISPR (EN55022) class A  
 EMS: EN61000-4-2 (ESD), Level 4  
 EN61000-4-3 (RS), Level 3  
 EN61000-4-4 (EFT), Level 4  
 EN61000-4-5 (Surge), Level 4  
 EN61000-4-6 (CS), Level 3  
 EN61000-4-8, Level 5  
 Shock: IEC 60068-2-27  
 Free fall: IEC 60068-2-32  
 Vibration: IEC 60068-2-6

**Warranty:**

Warranty time: 5 years

**Certification:**

CE, FCC, RoHS, PAL, UL508(pending)

**Ordering information**

| Option model         | Port          |                       |             | Power         |          |
|----------------------|---------------|-----------------------|-------------|---------------|----------|
| Standard model       | 100M Ethernet | 100M fiber (SC/ST/FC) | Serial port |               | 12~48VDC |
|                      |               | SM or MM              | RS-232      | RS-485/RS-422 |          |
| IES615-1F-2D(RS-485) | 4             | 1                     | —           | 2             |          |
| IES615-1F-2D(RS-232) | 4             | 1                     | 2           | —             |          |
| IES615-2F-2D(RS-232) | 3             | 2                     | 2           | —             |          |
| IES615-2F-2D(RS-485) | 3             | 2                     | —           | 2             |          |
| IES615-2D(RS-485)    | 5             | —                     | —           | 2             |          |
| IES615-2D(RS-232)    | 5             | —                     | 2           | —             |          |